

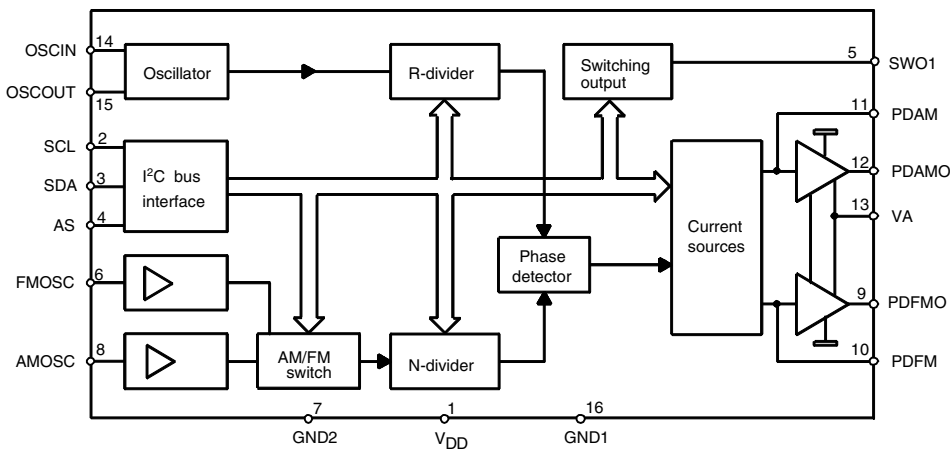
Features

- Reference Oscillator up to 15 MHz
- Two Programmable 16-bit Dividers Adjustable from 2 to 65535
- Fine Tuning Steps
 - AM ≥ 1 kHz
 - FM ≥ 2 kHz
- Loop-push-pull Stage for AM/FM
- High Signal/Noise Ratio

Description

The U4289BM is an integrated circuit in BICMOS technology for frequency synthesizers. It performs all the functions of a PLL radio tuning system and is controlled by a 2-wire bus. The device is designed for all frequency synthesizer applications in radio receivers, as well as for RDS (Radio Data System) applications.

Figure 1. Block Diagram



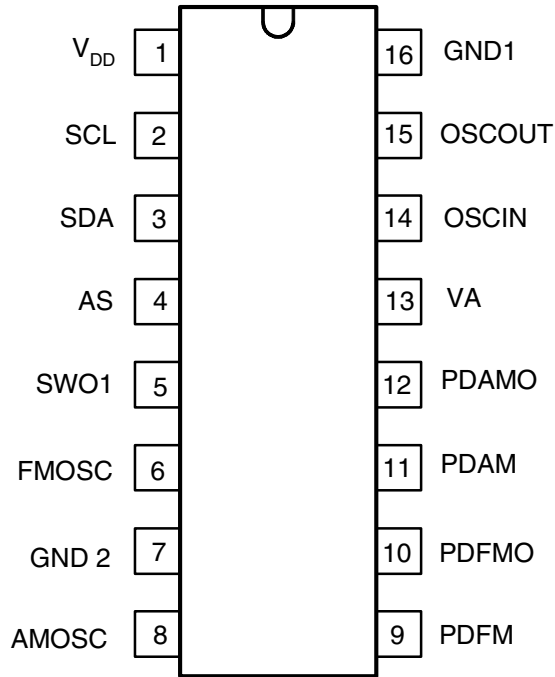
AM/FM PLL with 1 Switch

U4289BM



Pin Configuration

Figure 2. Pinning SO16



Pin Description

Pin	Symbol	Function
1	V _{DD}	Supply voltage
2	SCL	Bus clock
3	SDA	Bus data
4	AS	Address selection
5	SWO1	Switching output
6	FMOSC	FM oscillator input
7	GND2	Ground 2 (analog)
8	AMOSC	AM oscillator input
9	PDFM	FM current output
10	PDFMO	FM analog output
11	PDAM	AM current output
12	PDAMO	AM analog output
13	VA	Analog supply voltage
14	OSCIN	Oscillator input
15	OSCOU	Oscillator output
16	GND1	Ground 1 (digital)

Functional Description

The U4289BM is controlled via the 2-wire bus. One module address byte, two subaddress bytes and five data bytes enable programming.

The module address contains a programmable address bit A 1, which (along with address select input AS, pin 4), enables the operation of two U4289BM devices in one system. If bit A 1 is identical with the status of the address select input AS, the chip is selected.

The subaddress determines which of the data bytes is transmitted first. If the subaddress of the R-divider is transmitted, the sequence of the next data bytes is DB 0 (Status), DB 1 and DB 2. If the subaddress of the N-divider is transmitted, the sequence of the next data bytes is DB 3 and DB 4. The bit organization of the module address, subaddress and 5 data bytes is shown in table “Bit Organization” on page 7.

Each transmission on the bus begins with the “START” condition and has to be ended by the “STOP” condition (see table “Transmission Protocol” on page 7).

The integrated circuit U4289BM has two separate inputs for the AM and FM oscillators. Pre-amplified AM and FM signals are fed to the 16-bit R-divider via the AM/FM switch. The AM/FM switch is software controlled. Tuning steps can be selected by the 16-bit R-divider.

Furthermore, the device provides a digital memory phase detector and two separate current sources for AM and FM amplifier (charge pump) as given in the Table “Electrical Characteristics” on page 4. It allows independent gain adjustment, providing high current for high-speed tuning and low current for stable tuning.

Absolute Maximum Ratings

Stresses beyond those listed under “Absolute Maximum Ratings” may cause permanent damage to the device. This is a stress rating only and functional operation of the device at these or any other conditions beyond those indicated in the operational sections of this specification is not implied. Exposure to absolute maximum rating conditions for extended periods may affect device reliability.

Parameters	Pins	Symbol	Value	Unit
Supply voltage	1	V_{DD}	-0.3 to +6	V
Input voltage	2, 3, 4, 6, 8, 14, 15	V_I	-0.3 to $V_{DD} + 0.3$	V
Output current	3, 5	I_O	-1 to +5	mA
Output drain voltage	5	V_{OD}	15	V
Analog supply voltage with 220 Ω serial resistance 2 minutes ⁽¹⁾	13	V_A	6 to 15	V
		V_A	24	V
Output current	9, 12	I_{AO}	-1 to +20	mA
Ambient temperature range		T_{amb}	-30 to +85	$^{\circ}C$
Storage temperature range		T_{stg}	-40 to +125	$^{\circ}C$
Junction temperature		T_j	125	$^{\circ}C$
Electrostatic handling (modified MIL STD 883 D method 3015.7: all supply pins connected together)		$\pm V_{ESD}$	1000	V

Note: 1. Corresponding to the application circuit (Figure 8 on page 8)

Thermal Resistance

Parameters	Symbol	Value	Unit
Junction ambient	R_{thJA}	160	K/W

Electrical Characteristics

$V_{DD} = 5\text{ V}$, $V_A = 10\text{ V}$, $T_{amb} = 25^\circ\text{ C}$, unless otherwise specified

Parameters	Test Conditions	Pins	Symbol	Min.	Typ.	Max.	Unit
Supply voltage		1	V_{DD}	4.5	5.0	5.5	V
Quiescent supply current	AM mode/FM mode	1	I_{DD}		4.0	7.0	mA
FM input sensitivity, $R_G = 50\ \Omega$, FMOSC	$f_i = 70$ to 120 MHz	6	V_{SFM}	40			mV _{rms}
	$f_i = 160$ MHz	6	V_{SFM}	150			mV _{rms}
AM input sensitivity, $R_G = 50\ \Omega$, AMOSC	$f_i = 0.6$ to 35 MHz	8	V_{SAM}	40			mV _{rms}
Oscillator input sensitivity, $R_G = 50\ \Omega$, OSCIN	$f_i = 0.1$ to 15 MHz	14	V_{SOSC}	100			mV _{rms}
Phase Detector PDFM							
Output current 1		10	$\pm I_{PDFM}$	1600	2000	2400	μA
Output current 2		10	$\pm I_{PDFM}$	400	500	600	μA
Leakage current		10	$\pm I_{PDFML}$			20	nA
Phase Detector PDAM							
Output current 1		11	$\pm I_{PDAM}$	160	200	240	μA
Output current 2		11	$\pm I_{PDAM}$	40	50	60	μA
Leakage current		11	$\pm I_{PDAML}$			20	μA
Analog Output PDFMO, PDAMO							
Saturation voltage LOW	$I = 15\text{ mA}$	9, 12	V_{satL}		200	400	mW
Saturation voltage HIGH	$I = 15\text{ mA}$	9, 12	V_{satH}	9.5	9.95		V
Bus SCL, SDA, AS							
Input voltage HIGH		2, 3, 4	V_{iBUS}	3.0		V_{DD}	V
Input voltage LOW		2, 3, 4	V_{iBUS}	0		1.5	V
Output voltage acknowledge LOW	$I_{SDA} = 3\text{ mA}$	3	V_O			0.4	V
Clock frequency		2	f_{SCL}			100	kHz
Rise time SDA, SCL		2, 3	t_r			1	μs
Fall time SDA, SCL		2, 3	t_f			300	ns
Period of SCL HIGH		2	t_H	4.0			μs
Period of SCL LOW		2	t_L	4.7			μs

Electrical Characteristics (Continued)

$V_{DD} = 5\text{ V}$, $V_A = 10\text{ V}$, $T_{amb} = 25^\circ\text{C}$, unless otherwise specified

Parameters	Test Conditions	Pins	Symbol	Min.	Typ.	Max.	Unit
Set-up Time							
Start condition			t_{sSTA}	4.7			μs
Data			t_{sDAT}	250			μs
Stop condition			t_{sSTOP}	4.7			μs
Time space ⁽¹⁾			t_{wSTA}	4.7			μs
Hold Time							
Start condition			t_{hSTA}	4.0			μs
DATA			t_{hDAT}	0			μs

Note: 1. This is a period of time where the bus must be free from data transmission before a new transmission can be started.

Figure 3. FM Input Sensitivity, $T_{amb} = +85^\circ\text{C}$

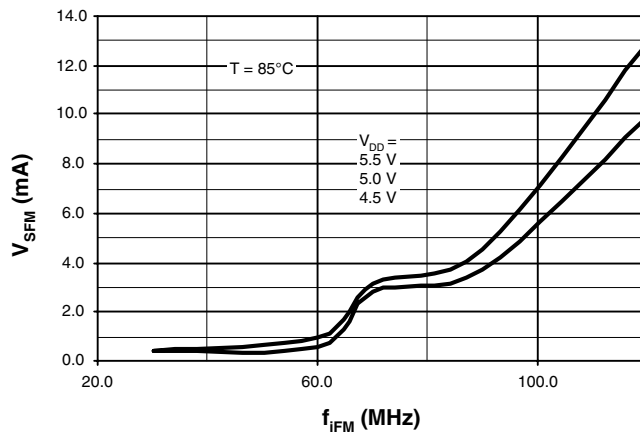


Figure 4. FM Input Sensitivity, $T_{amb} = -30^\circ\text{C}$

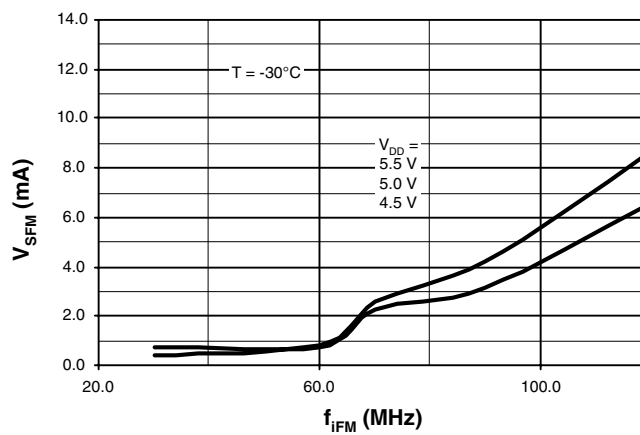


Figure 5. AM Input Sensitivity, $T_{amb} = +85^{\circ}C$

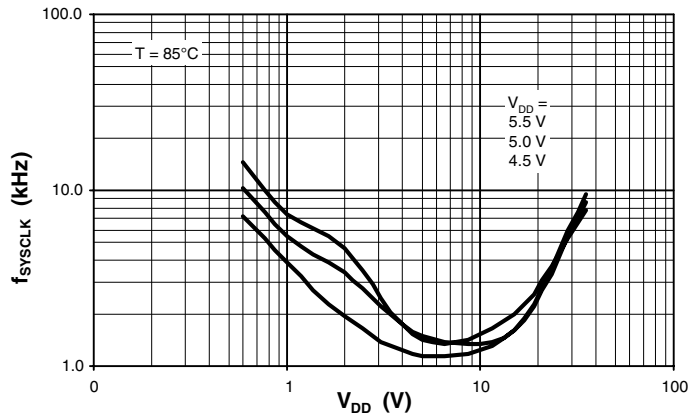


Figure 6. AM Input Sensitivity, $T_{amb} = -30^{\circ}C$

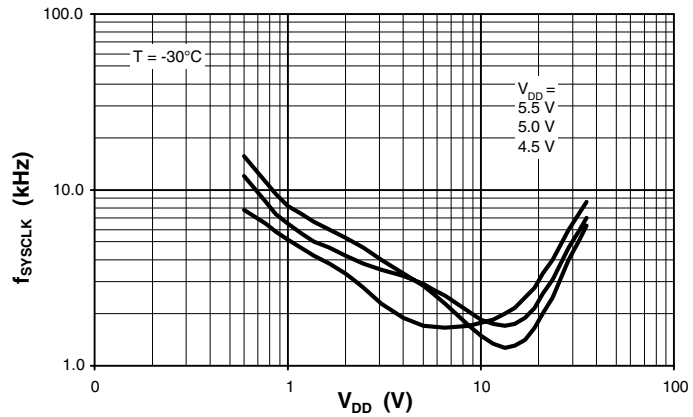
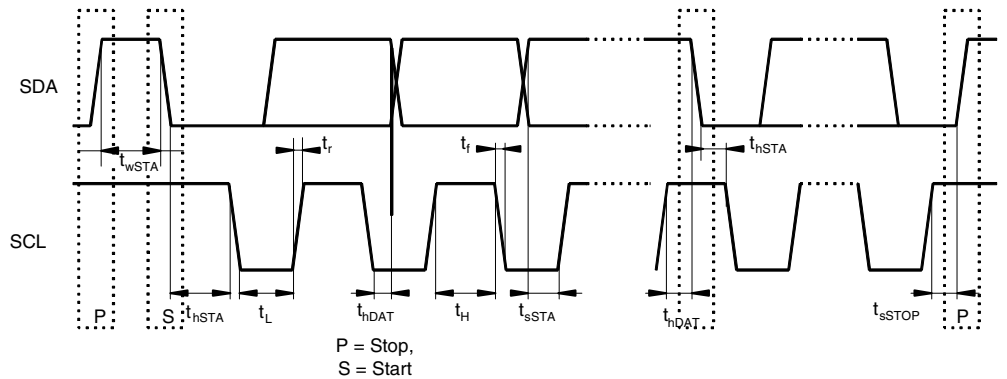


Figure 7. Bus Timing



Bit Organization

	MSB							LSB
Module address	1	1	0	0	1	0	0/1	0
	A7	A6	A5	A4	A3	A2	A1	A0
Subaddress (R-divider)	X	X	X	0	0	1	X	X
Subaddress (N-divider)	X	X	X	X	1	1	X	X
Data byte 0 (Status)	SWO1				AM/FM	PD - ANA	PD - POL	PD - CUR
	D7	D6	D5	D4	D3	D2	D1	D0
Data byte 1	2^{15}	R-divider						2^8
Data byte 2	2^7	R-divider						2^0
Data byte 3	2^{15}	N-divider						2^8
Data byte 4	2^7	N-divider						2^0

Table 1. Function Mode

Bit Description	Mode	LOW	HIGH
D3	AM/FM	FM operation	AM operation
D2	PD - ANA	PD analog	TEST
D1	PD - POL	Negative polarity	Positive polarity
D0	PD - CUR	Output current 2	Output current 1

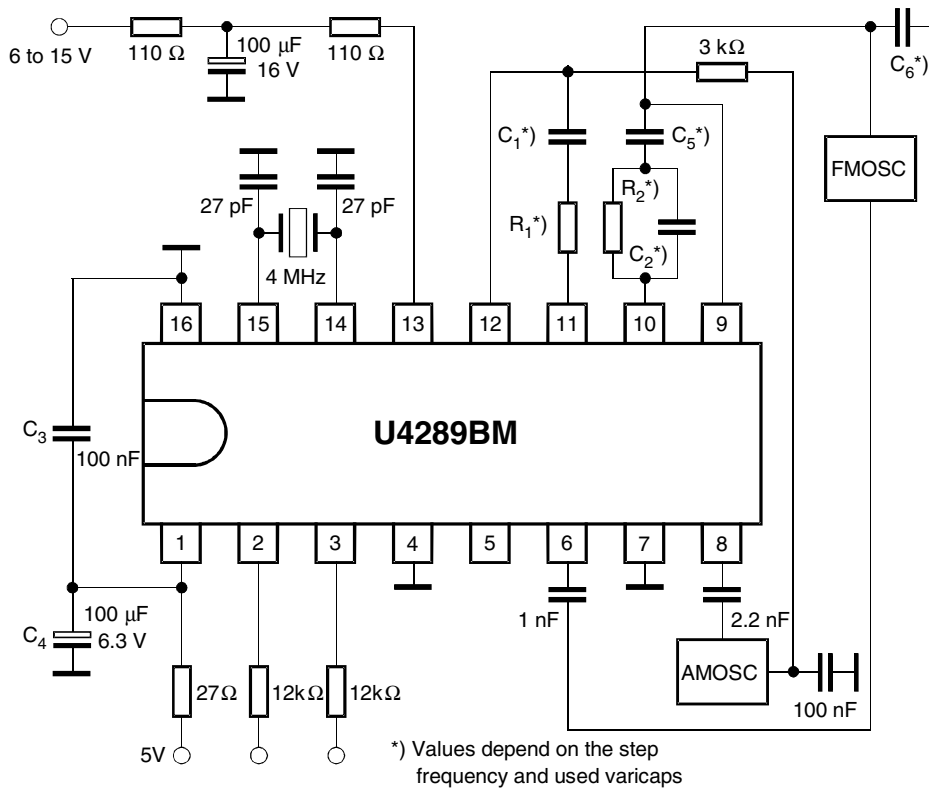
Transmission Protocol

	MSB	LSB										
S	Address		A	Subaddress	A	Data 0	A	Data 1	A	Data 2	A	P
	A0	A7		R-divider								

	MSB	LSB										
S	Address		A	Subaddress	A	Data 3	A	Data 4	A	P		
	A0	A7		N-divider								

Note: S = Start, P = Stop, A = Acknowledge

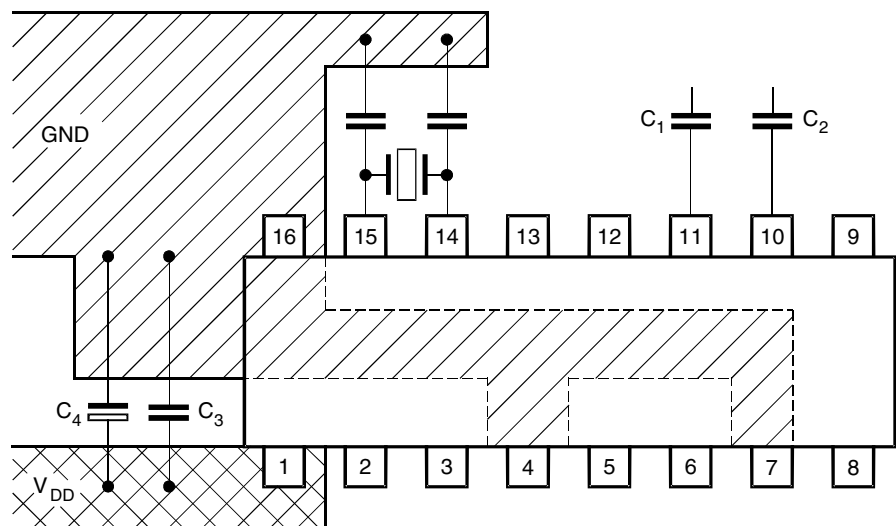
Figure 8. Application Circuit



Recommendations for Applications

- $C_3 = 100 \text{ nF}$ should be very close to pin 1 (V_{DD}) and pin 16 (GND 1)
- GND2 (pin 7, analog ground) and GND1 (pin 16, digital around) must be connected according to Figure 8
- 4 MHz crystal must be very close to pin 14 and pin 15
- Components of the charge pump (C_1/R_1 for AM and C_2/R_2 for FM) should be very close to pin 11 with respect to pin 10.

Figure 9. PCB Layout

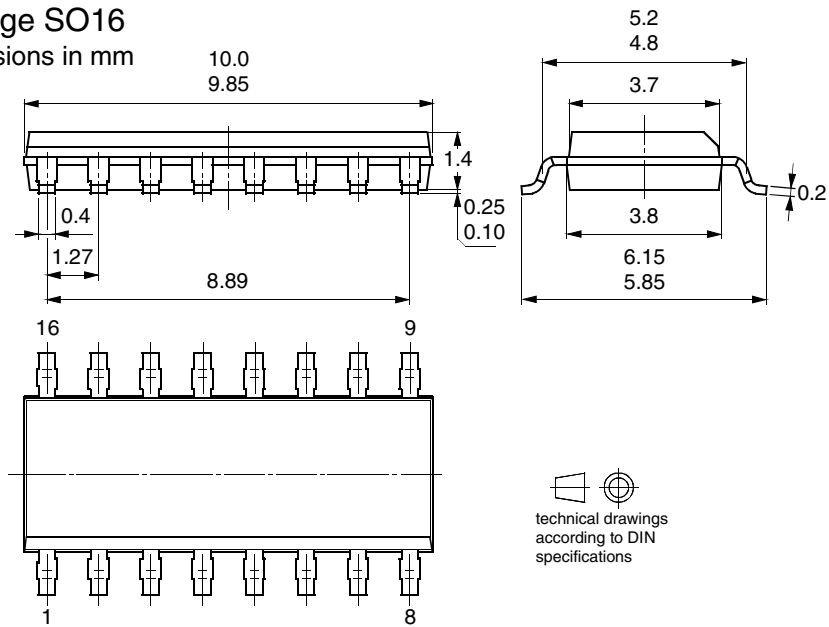


Ordering Information

Extended Type Number	Package	Remarks
U4289BM-MFP	SO16 plastic	–
U4289BM-MFPG3	SO16 plastic	Taping according to IEC-286-3

Package Information

Package SO16
Dimensions in mm





Atmel Corporation

2325 Orchard Parkway
San Jose, CA 95131, USA
Tel: 1(408) 441-0311
Fax: 1(408) 487-2600

Regional Headquarters

Europe

Atmel Sarl
Route des Arsenalux 41
Case Postale 80
CH-1705 Fribourg
Switzerland
Tel: (41) 26-426-5555
Fax: (41) 26-426-5500

Asia

Room 1219
Chinachem Golden Plaza
77 Mody Road Tsimshatsui
East Kowloon
Hong Kong
Tel: (852) 2721-9778
Fax: (852) 2722-1369

Japan

9F, Tonetsu Shinkawa Bldg.
1-24-8 Shinkawa
Chuo-ku, Tokyo 104-0033
Japan
Tel: (81) 3-3523-3551
Fax: (81) 3-3523-7581

Atmel Operations

Memory

2325 Orchard Parkway
San Jose, CA 95131, USA
Tel: 1(408) 441-0311
Fax: 1(408) 436-4314

Microcontrollers

2325 Orchard Parkway
San Jose, CA 95131, USA
Tel: 1(408) 441-0311
Fax: 1(408) 436-4314

La Chantrerie
BP 70602
44306 Nantes Cedex 3, France
Tel: (33) 2-40-18-18-18
Fax: (33) 2-40-18-19-60

ASIC/ASSP/Smart Cards

Zone Industrielle
13106 Rousset Cedex, France
Tel: (33) 4-42-53-60-00
Fax: (33) 4-42-53-60-01

1150 East Cheyenne Mtn. Blvd.
Colorado Springs, CO 80906, USA
Tel: 1(719) 576-3300
Fax: 1(719) 540-1759

Scottish Enterprise Technology Park
Maxwell Building
East Kilbride G75 0QR, Scotland
Tel: (44) 1355-803-000
Fax: (44) 1355-242-743

RF/Automotive

Theresienstrasse 2
Postfach 3535
74025 Heilbronn, Germany
Tel: (49) 71-31-67-0
Fax: (49) 71-31-67-2340

1150 East Cheyenne Mtn. Blvd.
Colorado Springs, CO 80906, USA
Tel: 1(719) 576-3300
Fax: 1(719) 540-1759

Biometrics/Imaging/Hi-Rel MPU/ High Speed Converters/RF Datacom

Avenue de Rochepleine
BP 123
38521 Saint-Egreve Cedex, France
Tel: (33) 4-76-58-30-00
Fax: (33) 4-76-58-34-80

Literature Requests

www.atmel.com/literature

Disclaimer: Atmel Corporation makes no warranty for the use of its products, other than those expressly contained in the Company's standard warranty which is detailed in Atmel's Terms and Conditions located on the Company's web site. The Company assumes no responsibility for any errors which may appear in this document, reserves the right to change devices or specifications detailed herein at any time without notice, and does not make any commitment to update the information contained herein. No licenses to patents or other intellectual property of Atmel are granted by the Company in connection with the sale of Atmel products, expressly or by implication. Atmel's products are not authorized for use as critical components in life support devices or systems.

© Atmel Corporation 2003. All rights reserved.

Atmel® and combinations thereof are the registered trademarks of Atmel Corporation or its subsidiaries.

Other terms and product names may be the trademarks of others.



Printed on recycled paper.